



DEM1A001-MID - Summary Sheet

Summary

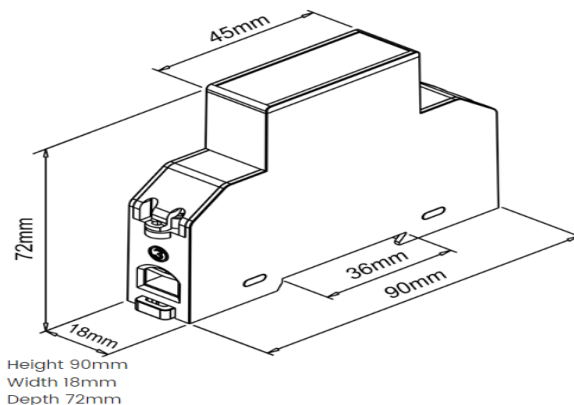
The DEM1001-MID is the best value MID approved meter on the market. The lightweight 100 Amp DIN rail meter is only 18mm wide, just larger than a single DIN-Rail module. Other models available DEM1A002/DEM1A102

It displays energy (kWh) on it's blue backlit display and comes with a single pulse output.

N.B. This meter can be fitted into a DIN Rail enclosure.

Product Code	DEM1A001
Meter Type	Single Phase Meter
Fitting Type	DIN Rail
Max Current (Amps)	100
MID Approved	Yes
Smart	No
Input Type	Direct Connection
Output Type	Pulse
Tariffs	Single
Import / Export	Import and Export
Module Width	1
Availability	Next Day
Condition	New
Brand	YTL
Country of Manufacture	China

Dimensions



Wiring Diagram

